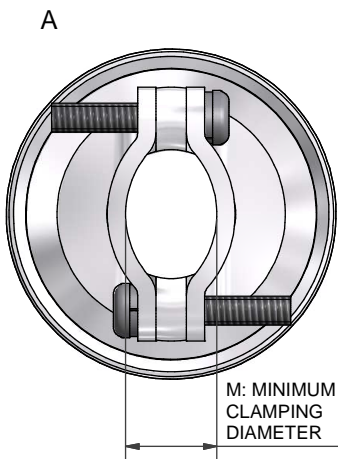
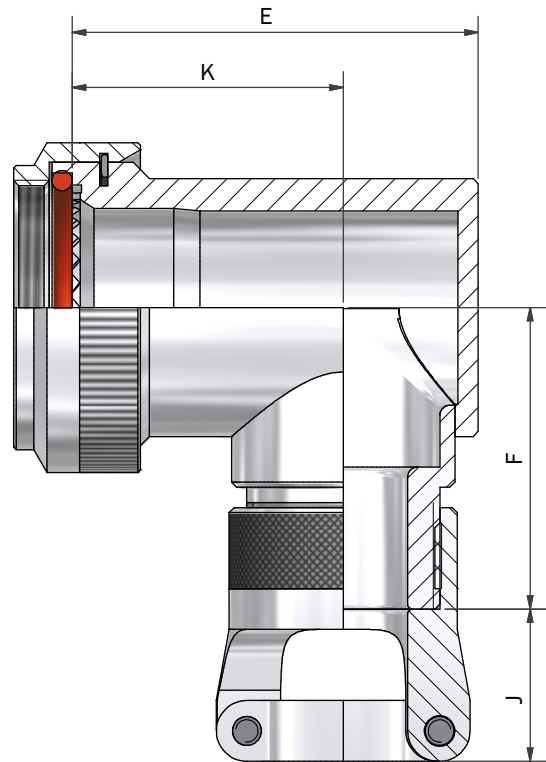
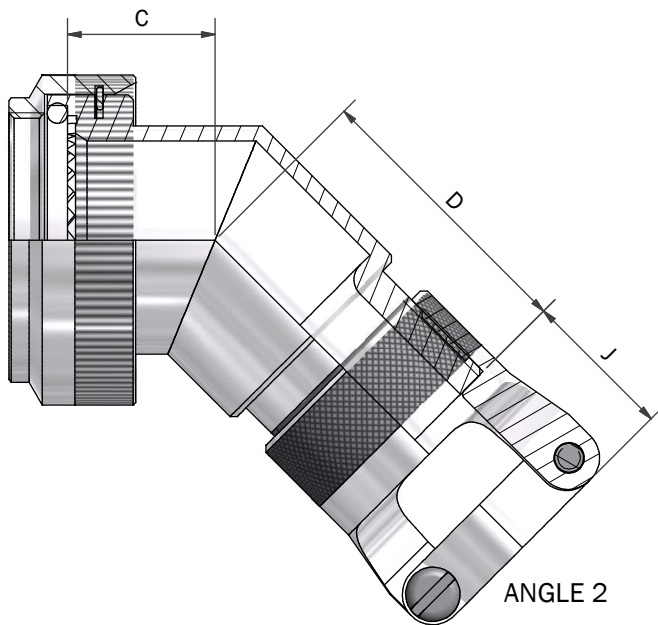
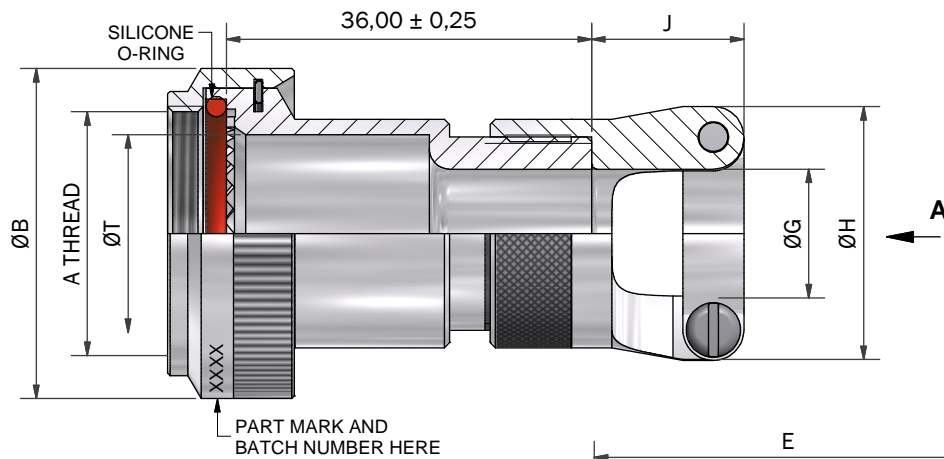


ANGLE 1



ANGLE 3

DRAWN	J.CLARK	DATE	21/02/2008
SALES APPR			
DESIGN APPR	K.SHEP	DATE	21/02/2008
QUAL APPR			
ISSUE 3	DCR 3969		
WEIGHT	GENERAL TOL LINEAR +/-0.1MM ANGULAR +/- 1°		

3RD ANGLE PROJECTION NOT TO SCALE

THIS DRAWING IS COPYRIGHT AND THE PROPERTY OF POLAMCO LTD. IT MUST NOT BE COPIED, USED FOR MANUFACTURE OR OTHERWISE DISCLOSED WITHOUT PRIOR WRITTEN CONSENT OF THE COMPANY.

POLAMCO

WESTON LOCK
LOWER BRISTOL ROAD
BATH BA2 1EP

PAGE 1 OF 3

ASSY USED ON: MIL-DTL-38999 SERIES III & IV

TITLE: STRAIN RELIEF BACKSHELL

PART NUMBER: 77H SERIES

UNLESS OTHERWISE SPECIFIED ALL DIMENSIONS IN MILLIMETRES

MATERIAL ALUMINIUM ALLOY 6262

NCAGE CODE U5792

DRAWING NO: P10752

TABLE 1

SHELL SIZE	A THREAD	ØB MAX	ØT MIN	C MAX	D MAX	E MAX	F MAX	K ± 0,5
09	M12 x 1.0	18,0	6,7	13,1	24,6	25,7	25,0	17,5
11	M15 x 1.0	21,0	10,2	13,9	25,4	26,7	26,8	17,5
13	M18 x 1.0	24,5	13,5	14,5	25,8	31,2	28,3	20,0
15	M22 x 1.0	29,0	16,2	15,5	26,6	37,2	29,8	24,5
17	M25 x 1.0	32,5	19,4	16,1	27,4	40,2	31,5	26,7
19	M28 x 1.0	35,5	21,8	16,8	27,8	44,7	33,1	27,0
21	M31 x 1.0	37,0	25,1	17,1	28,6	49,2	34,7	30,5
23	M34 x 1.0	40,0	28,2	17,7	29,0	51,7	36,4	31,5
25	M37 x 1.0	43,5	31,4	18,4	29,9	53,2	37,7	28,5

TABLE 2

ENTRY SIZE	ØG MIN	ØH MAX	M ±0,5	J MAX
03	4,7	17,1	6,8	15,0
04	6,3	19,1	6,7	15,0
05	7,9	20,7	7,8	15,0
06	9,5	22,3	7,9	15,0
07	11,1	23,8	8,6	15,0
08	12,7	25,3	9,0	15,0
09	14,2	27,0	10,2	15,0
10	15,8	28,6	10,4	15,0
11	17,4	30,3	11,5	15,0
12	19,0	31,8	12,4	15,0
13	20,6	33,3	15,0	15,0
14	22,2	35,0	15,4	18,0
15	23,8	36,7	16,8	18,0
16	25,4	38,1	17,3	18,0
18	28,6	39,7	18,8	18,0
20	31,8	44,5	22,4	18,0
22	35,0	47,6	24,4	18,0
24	38,1	51,2	26,4	18,0

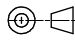

TABLE 3

CODE	FINISH
C	ELECTROLESS NICKEL
B	CADMIUM OLIVE DRAB OVER ELECTROLESS NICKEL
ZB	ZINC COBALT OLIVE DRAB OVER ELECTROLESS NICKEL
ZN	ZINC NICKEL BLACK PASSIVATE OVER ELECTROLESS NICKEL
G	BLACK ANODISE, SULPHURIC

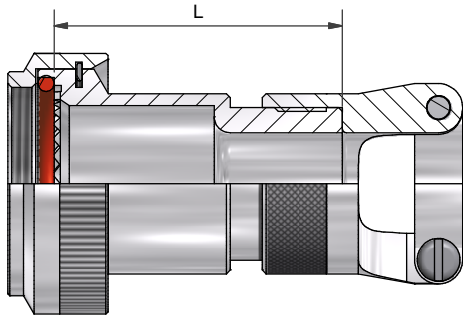
LIST NOT EXHAUSTIVE, SEE PLATING TABLE FOR OTHER OPTIONS

77H1-17-08-1-C

SERIES _____
 CONNECTOR INTERFACE _____
 ANGLE _____
 SHELL SIZE (TABLE 1) _____
 ENTRY SIZE (TABLE 2) _____
 MATERIAL _____
 ALUMINIUM ALLOY _____
 FINISH (TABLE 3) _____

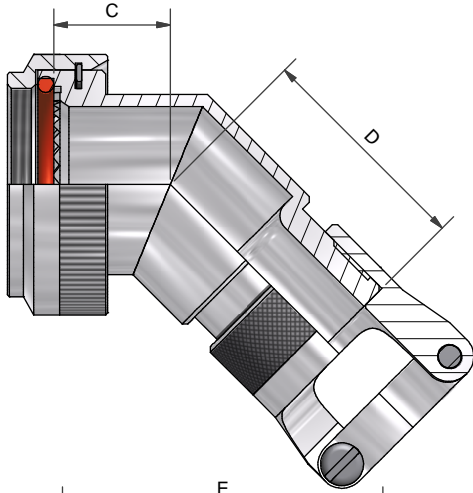
DRAWN	J.CLARK	DATE 21/02/2008	 3RD ANGLE PROJECTION NOT TO SCALE	 POLAMCO WESTON LOCK LOWER BRISTOL ROAD BATH BA2 1EP	PAGE 2 OF 3	UNLESS OTHERWISE SPECIFIED ALL DIMENSIONS IN MILLIMETRES
SALES APPR			THIS DRAWING IS COPYRIGHT AND THE PROPERTY OF POLAMCO LTD IT MUST NOT BE COPIED, USED FOR MANUFACTURE OR OTHERWISE DISCLOSED WITHOUT PRIOR WRITTEN CONSENT OF THE COMPANY.	ASSY USED ON: MIL-DTL-38999 SERIES III & IV	TITLE: STRAIN RELIEF BACKSHELL	MATERIAL ALUMINIUM ALLOY 6262
DESIGN APPR	K.SHEP	21/02/2008				NCAGE CODE U5792
QUAL APPR						DRAWING NO: P10752
ISSUE 3	DCR 3969					
WEIGHT	GENERAL TOL LINEAR +/-0.1MM ANGULAR +/- 1°		PART NUMBER: 77H SERIES			

NON-STANDARD LENGTH



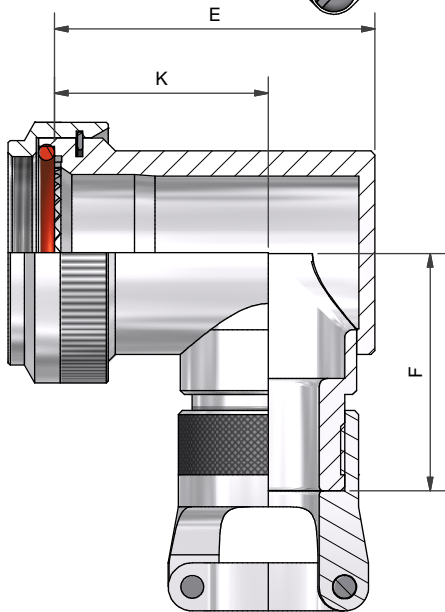
77H1-17-08-1-C-Lxx

SERIES _____
 CONNCTOR INTEFACE _____
 ANGLE _____
 SHELL SIZE _____
 ENTRY SIZE _____
 MATERIAL _____
 ALUMINIUM ALLOY
 FINISH (SEE PAGE) _____
 OPTIONAL LENGTH (mm) _____
 OMIT FOR STANDARD (36,00mm)



77H2-17-08-1-C-CxxDxx

SERIES _____
 CONNCTOR INTEFACE _____
 ANGLE _____
 SHELL SIZE _____
 ENTRY SIZE _____
 MATERIAL _____
 ALUMINIUM ALLOY
 FINISH (SEE PAGE) _____
 OPTIONAL C DIMENSION (mm) _____
 OMIT FOR STANDARD
 OPTIONAL D DIMENSION (mm) _____
 OMIT FOR STANDARD



77H3-17-08-1-C-ExxFxx

SERIES _____
 CONNCTOR INTEFACE _____
 ANGLE _____
 SHELL SIZE _____
 ENTRY SIZE _____
 MATERIAL _____
 ALUMINIUM ALLOY
 FINISH (SEE PAGE) _____
 OPTIONAL E DIMENSION (mm) _____
 ALTERNATIVELY Kxx
 OPTIONAL K DIMENSION
 OMIT FOR STANDARD
 OPTIONAL F DIMENSION (mm) _____
 OMIT FOR STANDARD

LENGTH CODE CONVERSION FOR AS85049/21

AS85049/21 LENGTH CODE	77H1 LENGTH CODE
STANDARD	NO LENGTH CODE
A	L64
B	L89
C	L115

DRAWN SALES APPR	J.CLARK	DATE 21/02/2008	3RD ANGLE PROJECTION NOT TO SCALE	POLAMCO WESTON LOCK LOWER BRISTOL ROAD BATH BA2 1EP	PAGE 3 OF 3	UNLESS OTHERWISE SPECIFIED ALL DIMENSIONS IN MILLIMETRES
DESIGN APPR QUAL APPR	K.SHEP	21/02/2008	THIS DRAWING IS COPYRIGHT AND THE PROPERTY OF POLAMCO LTD IT MUST NOT BE COPIED, USED FOR MANUFACTURE OR OTHERWISE DISCLOSED WITHOUT PRIOR WRITTEN CONSENT OF THE COMPANY.			
ISSUE 3	DCR 3969			PART NUMBER:		NCAGE CODE U5792
WEIGHT	GENERAL TOL LINEAR +/-0.1MM ANGULAR +/- 1°			77H SERIES		DRAWING NO: P10752